

CIMFR CERT NO.: - CIMFR/TC/SR/H512
 SUPPL. T.C. NO.: - CIMFR/TC/S/H152
 TYPE/CAT NO.: - KCE-***-*** SERIES

TECHNICAL DATA

ENCLOSURE :-
 Ex-d AS PER IS/IEC 60079-1:2007

PROTECTION :-
 IP-66 AS PER IS: 12063-1987 (IEC 60529:1989)

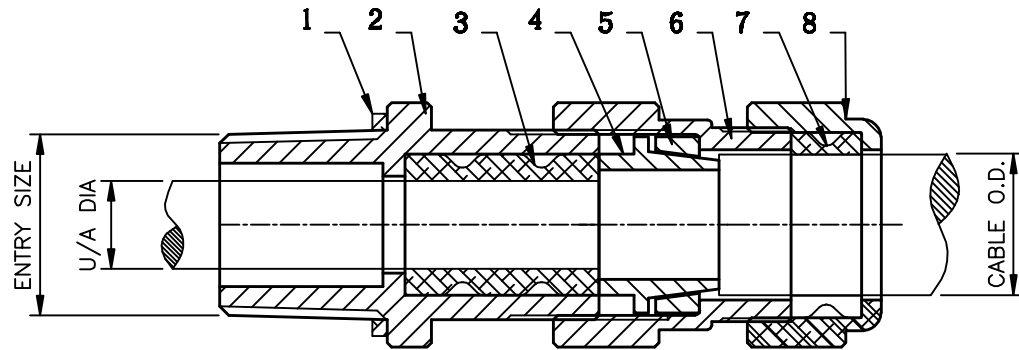
AREA CLASSIFICATION :-
 ZONE 1 & 2

GAS GROUPS :-
 IIA & IIB

MATERIAL OF CONSTRUCTION :-
 BRASS NICKEL PLATED AS STANDARD
 OPTIONAL S.S. OR ALUMINIUM

ORDERING CODE :-
 CAT. NO. FOLLOWED BY SIZE e.g. KCE-01 M20x1.5 OR KCE-01 1/2"NPT

SIZE & CAT NO. :- TABLE # A



CABLE GLAND SELECTION CHART (TABLE # A)

CAT.NO.	ENTRY SIZE (M)	ENTRY SIZE (ET)	ENTRY SIZE (NPT)	CABLE O/D. (max)	UNDER ARMOUR O/D. (max)	CABLE SIZES
KCE-0S	M12 x 1.5	-	-	6.5 TO 10.0	3.5 TO 7.5	
KCE-00	M16 x 1.5	-	-	9.5 TO 13.0	5.5 TO 9.5	
KCE-1S	M20 x 1.5	3/4"	1/2"	12.5 TO 16.0	6.0 TO 10.0	
KCE-01	M20 x 1.5	3/4"	1/2"	16.5 TO 18.0	7.5 TO 11.5	2CX2.5, 2CX4, 3CX1.5
KCE-02	M20 x 1.5	3/4"	1/2"	18.5 TO 19.5	10.0 TO 13.5	3CX4, 3CX6, 3CX2.5, 2CX6, 4CX4
KCE-03	M25 x 1.5	1"	3/4"	20.0 TO 22.0	13.5 TO 17.0	3CX10, 4CX10, 4CX6
KCE-04	M25 x 1.5	1"	3/4"	22.5 TO 25.5	16.5 TO 20.0	3CX25, 3CX35, 3CX16, 4CX16
KCE-05	M40 x 1.5	1 1/2"	1 1/4"	26.0 TO 29.0	21.0 TO 24.0	3CX50, 3.5CX35, 4CX25, 4CX35, 3.5CX25
KCE-5A	M32 x 1.5	1 1/4"	1"	26.0 TO 29.0	21.0 TO 24.0	3CX50, 3.5CX35, 4CX25, 4CX35, 3.5CX25
KCE-06	M40 x 1.5	1 1/2"	1 1/4"	29.5 TO 33.5	24.0 TO 28.0	3CX70, 3.5CX50, 4CX50
KCE-07	M40 x 1.5	1 1/2"	1 1/4"	34.0 TO 37.0	28.0 TO 30.5	3CX95, 3.5CX70
KCE-08	M50 x 1.5	2"	1 1/2"	37.5 TO 40.5	31.0 TO 35.0	3CX120, 3.5CX95
KCE-09	M50 x 1.5	2"	1 1/2"	41.0 TO 45.0	34.0 TO 37.0	3CX150, 3.5CX120
KCE-10	M50 x 1.5	2"	1 1/2"	45.5 TO 51.0	40.0 TO 43.0	3CX185, 3.5CX150
KCE-11	M63 x 1.5	2 1/2"	2"	51.5 TO 59.0	45.0 TO 52.0	3CX225, 3CX240, 3.5CX225, 3.5CX185
KCE-12	M75 x 1.5	3"	2 1/2"	59.5 TO 65.0	52.0 TO 58.0	3.5CX240, 3CX300, 3.5CX300
KCE-13	M75 x 1.5	3"	2 1/2"	65.5 TO 77.0	56.5 TO 64.0	3.5CX400, 3CX400

NO.	DESCRIPTION	QTY	REMARK
08.	COMPRESSION RING (NUT)	1	-
07.	OUTER BUSH	1	-
06.	GLAND BODY	1	-
05.	ARMOUR CLAMPING RING	1	-
04.	ARMOUR CLAMPING CONE	1	-
03.	INNER BUSH	1	-
02.	NIPPLE	1	-
01.	RUBBER WASHER	1	-
NO.	DESCRIPTION	QTY	REMARK

CLIENT		DRAWN	KBP	1.3.12	DESCRIPTION:-	
CONSULTANT		APP'D	HPB	1.3.12	FLAMEPROOF & WEATHERPROOF	
P.O.No.		CH'D	NPB	1.3.12	DOUBLE COMP.CABLE GLAND	
				SHT.NO.	REV.	DRG.NO.:-
				1 OF 1	0	L02

THE INFORMATION CONTAINED IN THIS DRAWING IS THE PROPERTY OF KAYSONS TECHNO EQUIPMENTS PVT. LTD. AND IS NOT TO BE COPIED OR MISUSED IN ANY WAY.

ISSUE	DATE	BY	MODIFICATION

KAYSONS 1802/7, G.I.D.C. ESTATE,
 TECHNO EQUIPMENTS PVT LTD V.U.NAGAR 388121. (GUJARAT)